

ARCHITECTS

EXECUTIVE ENGINEER  
 MP HOUSING BOARD, RATLAM

ASSISTANT ENGINEER  
 MP HOUSING BOARD, RATLAM

SUB ENGINEER  
 MP HOUSING BOARD, RATLAM

**TITLE :**  
 DOOR WINDOW AND VENTILATOR DETAILS



**SCALE :**  
 1:25

**DRG. NO.:**  
 IT/17AM/R/07

**DATE NO. PRINTS ISSUED**

**JOB CODE:**  
 IT/17AM/08

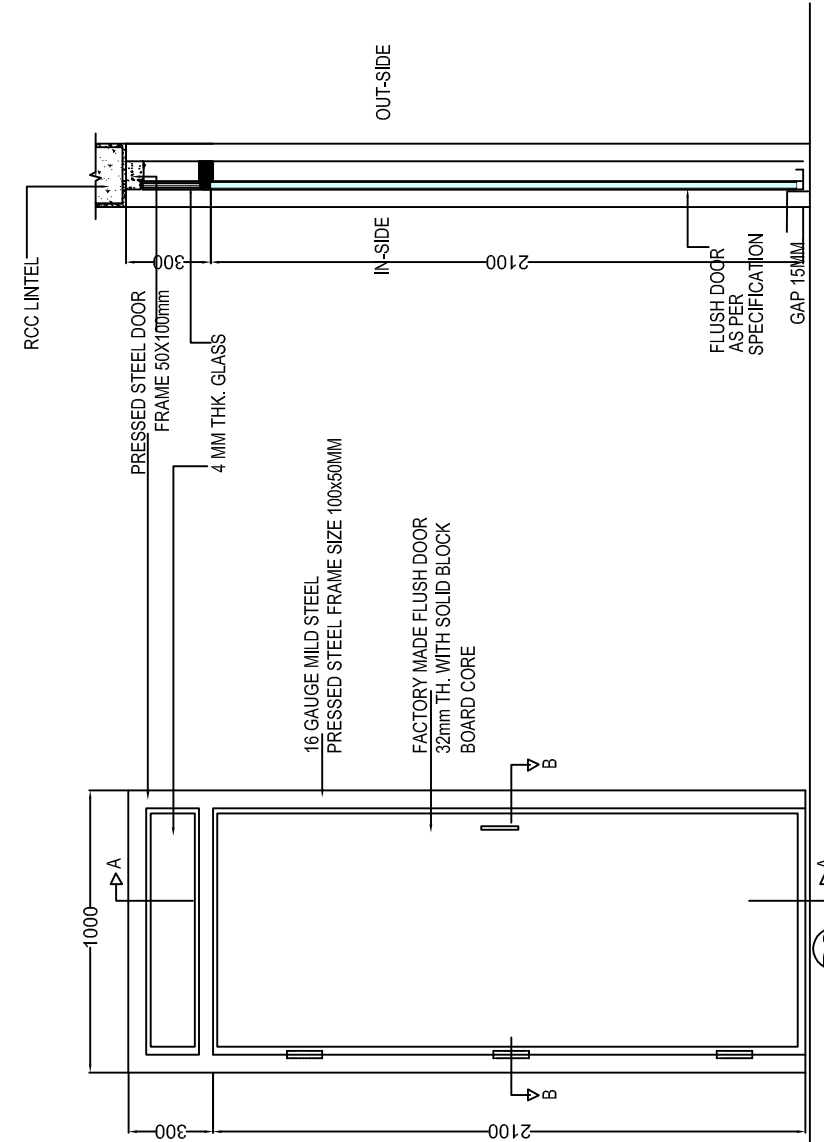
**DATE**  
 21/07/08

**PROJECT :**  
 CONSTRUCTION WORK, DEVELOPMENT WORK, ADDITIONAL WORKS OF I.T.I. UNDER COE AT RAMPURA, NEEMUCH (M.P.)  
 (COE - ELECTRICAL ENGINEERING)

**NOTES**  
 1. DO NOT SCALE THE DRAWING  
 2. ONLY WRITTEN DIMENSIONS ARE TO BE FOLLOWED  
 3. ALL DIMENSIONS AND DRAWINGS ARE TO BE CORRELATED WITH EACH OTHER AND AMBIGUITY, DISCREPANCY OR OMISSION, IF ANY, SHALL BE BROUGHT TO THE NOTICE OF ARCHITECT IMMEDIATELY BEFORE THE COMMENCEMENT OF WORK ON SITE  
 4. THIS DRAWING IS THE PROPERTY OF ARCHITECT AND SHALL NOT BE REPRODUCED WITHOUT CONSENT OF THE ARCHITECT.

SNO.	DESIGN.	SIZE	SILL LVL.	LINTEL LVL.	PARTICULARS OF ITEM
1	D	2000X2400	-	2400	DOUBLE LEAF FLUSH DOOR WITH PRESSED STEEL FRAME
2	D1	1500X2400	-	2400	DOUBLE LEAF FLUSH DOOR WITH PRESSED STEEL FRAME
3	D2	1000X2400	-	2400	SINGLE LEAF FLUSH DOOR WITH PRESSED STEEL FRAME
4	D3	800X2400	-	2400	SINGLE LEAF FLUSH DOOR WITH PRESSED STEEL FRAME
6	D4	750X2100	-	2100	SINGLE LEAF FLUSH DOOR WITH PRESSED STEEL FRAME
7	W	1800X1500	900	2400	PARTLY GLAZED WOODEN WINDOW WITH PRESSED STEEL FRAME
8	V	1200X600	1800	2400	PARTLY GLAZED WOODEN VENTILATOR WITH PRESSED STEEL FRAME
9	V1	600X600	1800	2400	PARTLY GLAZED WOODEN VENTILATOR WITH PRESSED STEEL FRAME

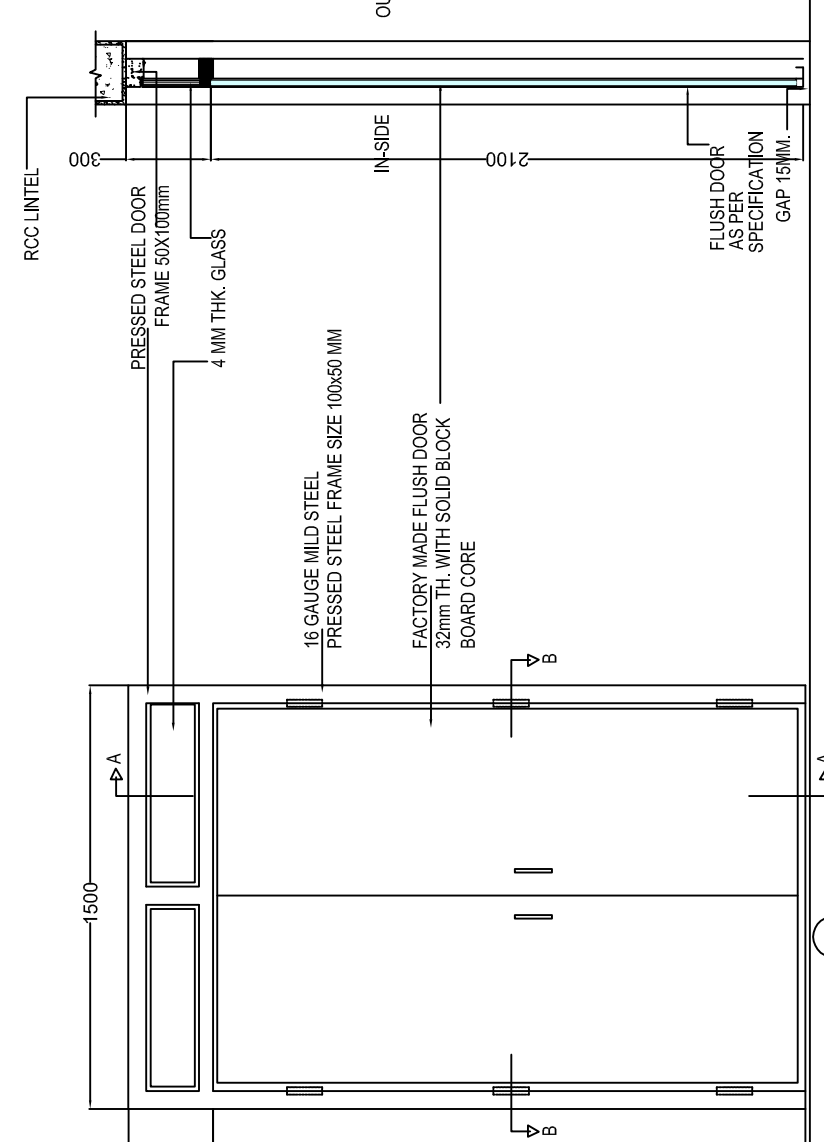
**SCHEDULE OF OPENINGS**



**SECTION AA**

**SECTION BB**

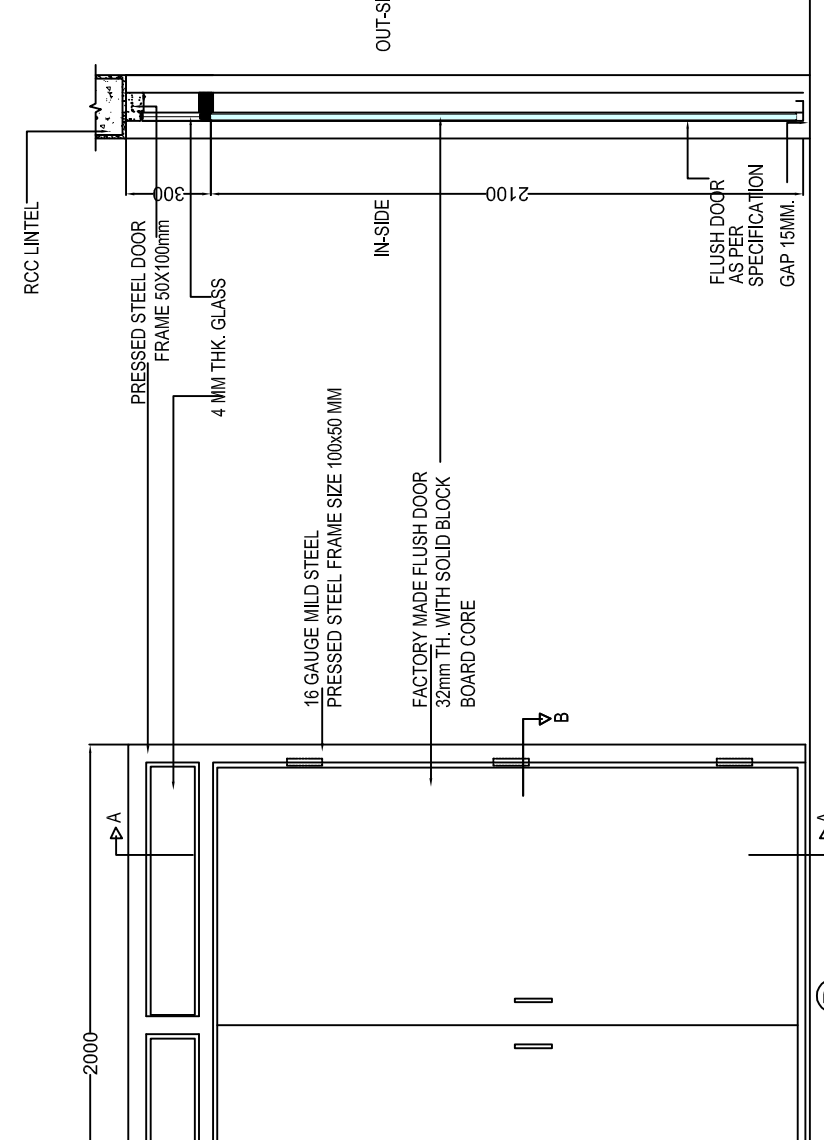
**ELEVATION (1000X2400)**



**SECTION AA**

**SECTION BB**

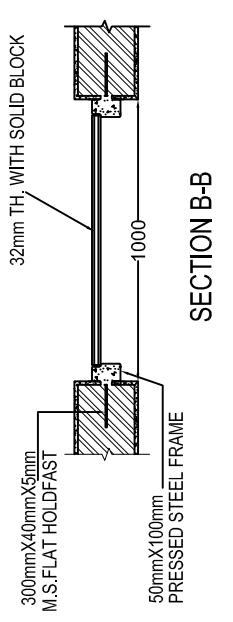
**ELEVATION (1500X2400)**



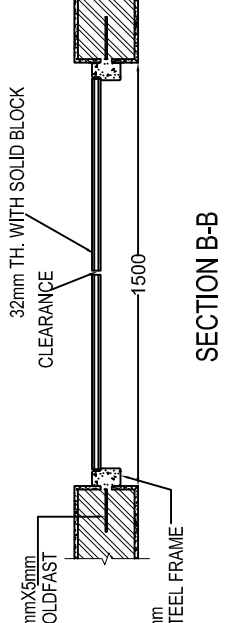
**SECTION AA**

**SECTION BB**

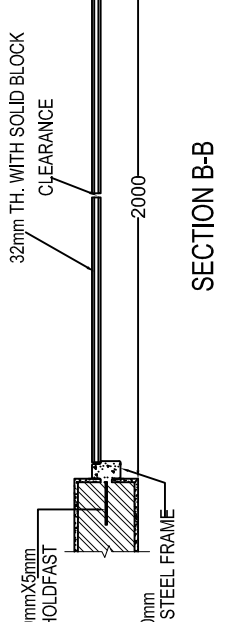
**ELEVATION (2000X2400)**



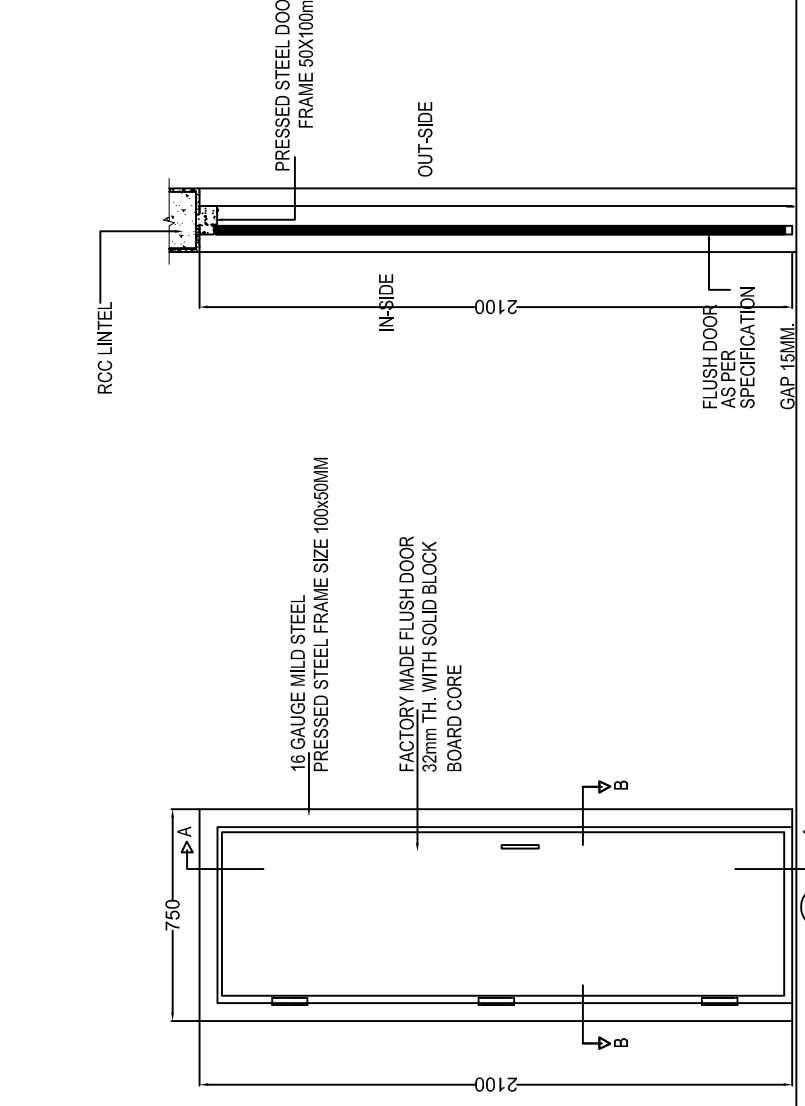
**SECTION B-B**



**SECTION B-B**



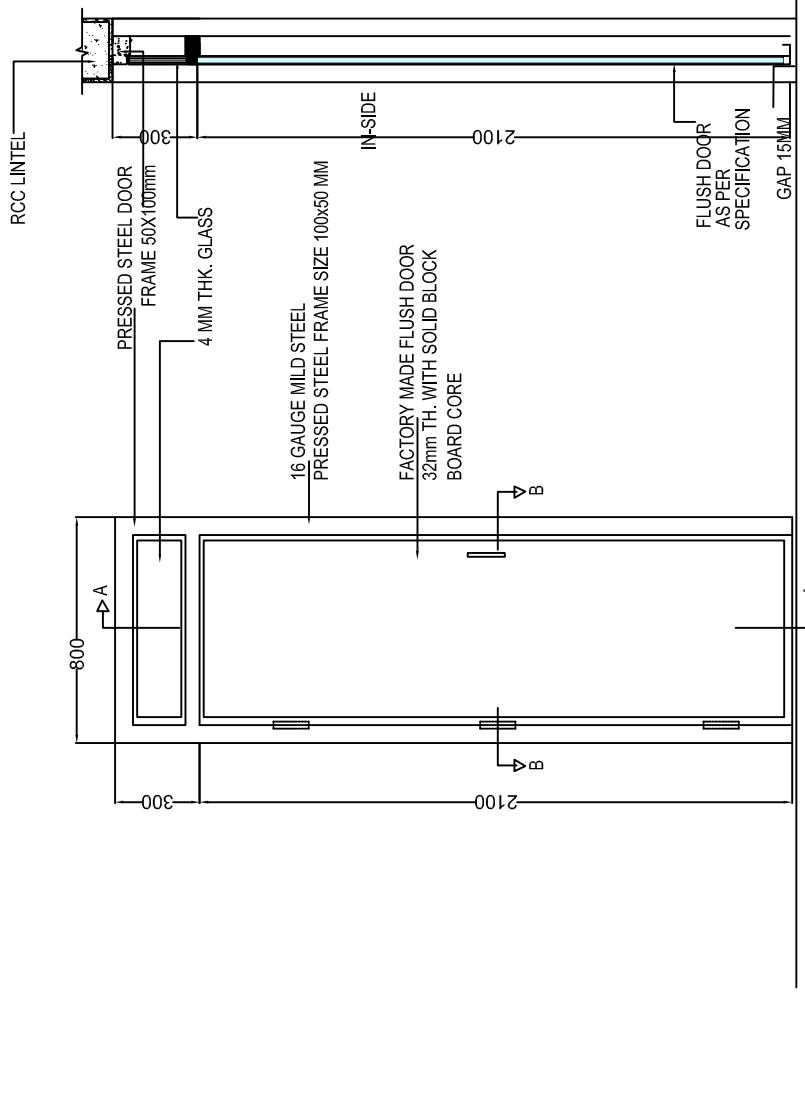
**SECTION B-B**



**SECTION AA**

**SECTION BB**

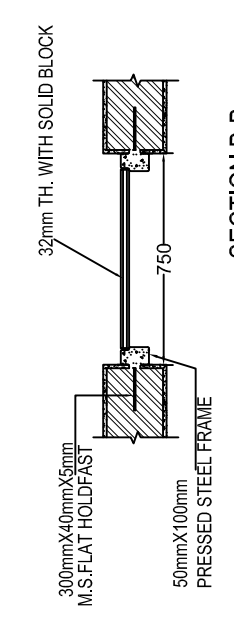
**ELEVATION (750X2100)**



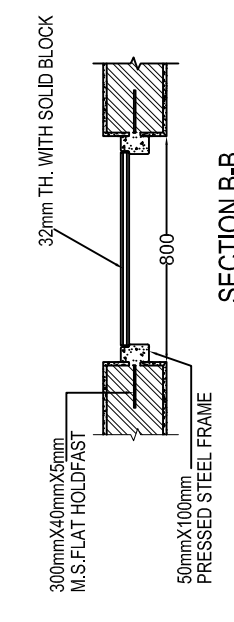
**SECTION AA**

**SECTION BB**

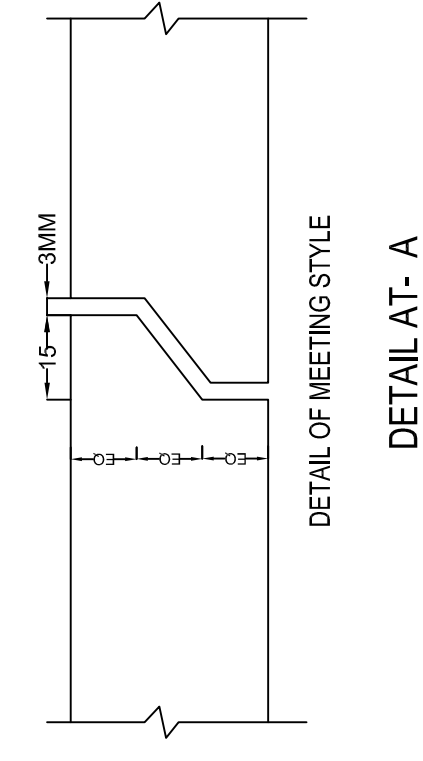
**ELEVATION (800X2400)**



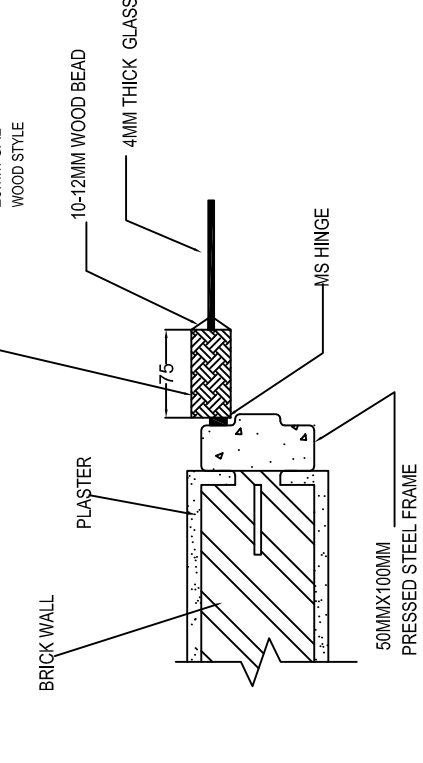
**SECTION B-B**



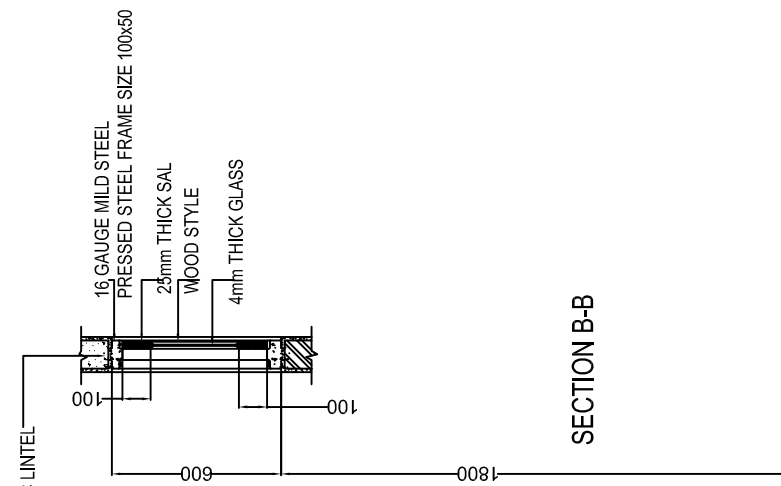
**SECTION B-B**



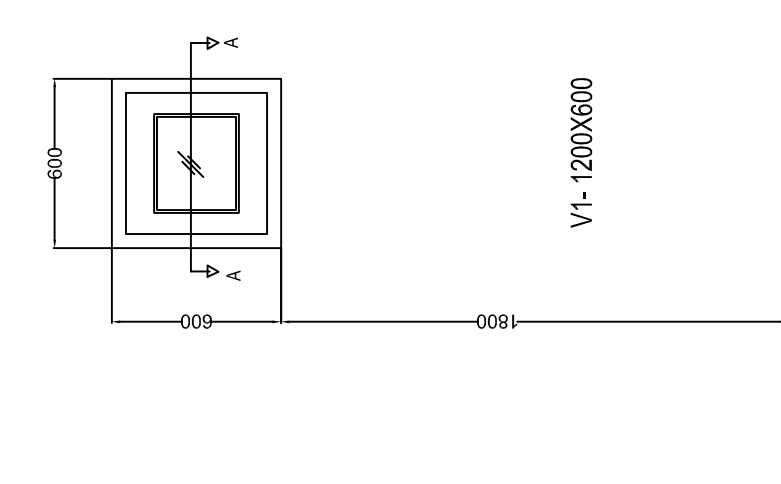
**DETAIL AT - A**



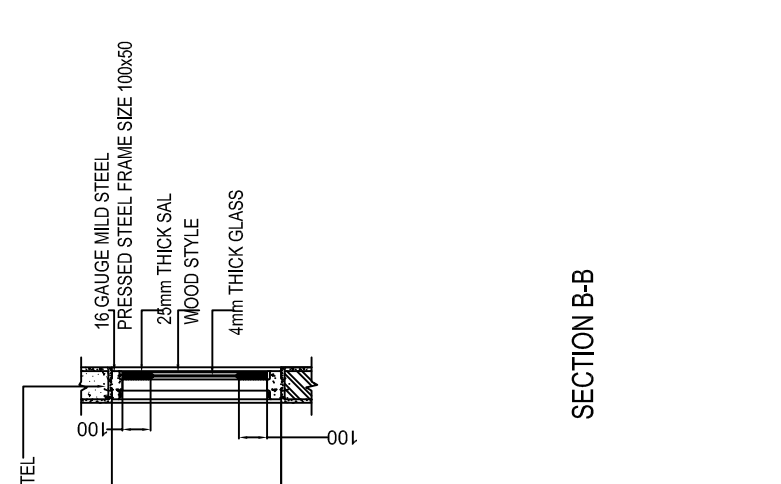
**DETAIL AT - B**



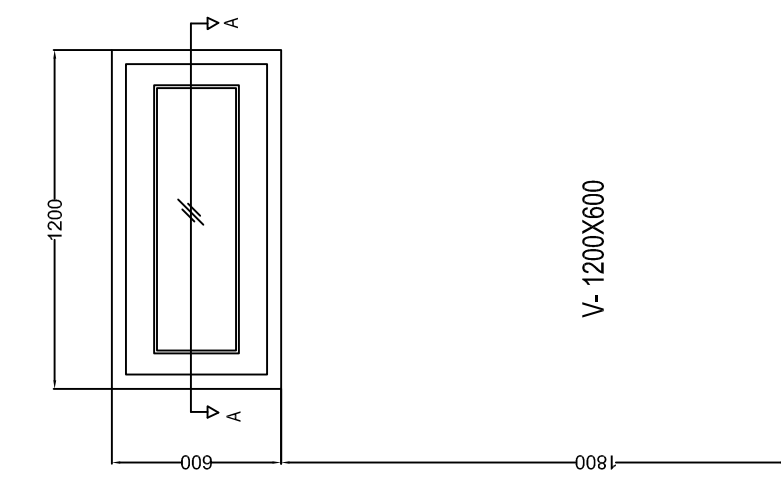
**SECTION B-B**



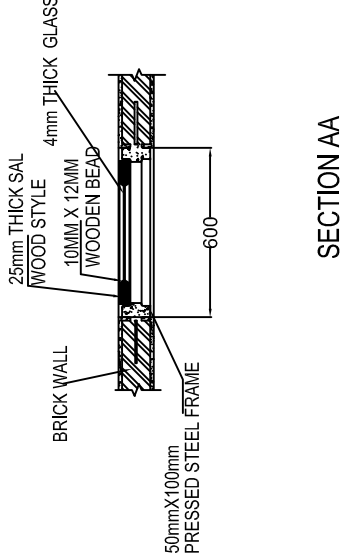
**SECTION AA**



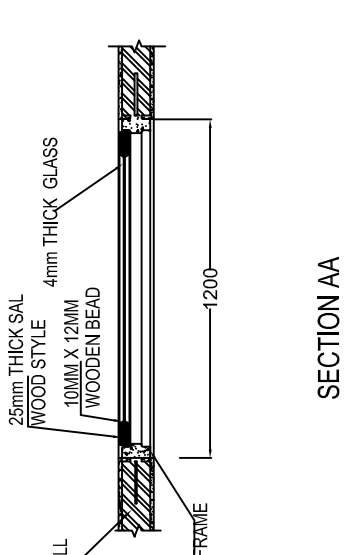
**SECTION B-B**



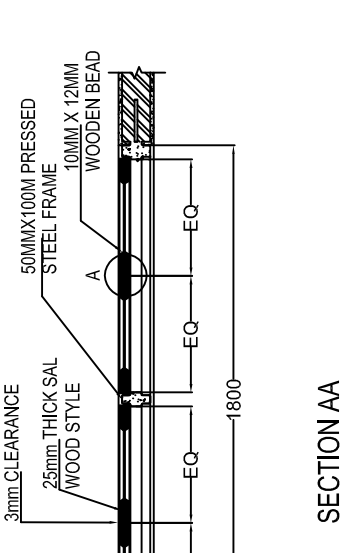
**SECTION AA**



**SECTION AA**



**SECTION AA**



**SECTION AA**

**SECTION B-B**

**SECTION B-B**

**SECTION B-B**

**SECTION B-B**

**SECTION B-B**

**SECTION B-B**

**SECTION B-B**

**SECTION B-B**

**SECTION B-B**

**SECTION B-B**

**SECTION B-B**

**SECTION B-B**

**SECTION B-B**

**SECTION B-B**

**SECTION B-B**

**SECTION B-B**

**SECTION B-B**

**SECTION B-B**

**SECTION B-B**

**SECTION B-B**

**SECTION B-B**

**SECTION B-B**

**SECTION B-B**

**SECTION B-B**

**SECTION B-B**

**SECTION B-B**

**SECTION B-B**

**SECTION B-B**

**SECTION B-B**

**SECTION B-B**

**SECTION B-B**

**SECTION B-B**

**SECTION B-B**

**SECTION B-B**

**SECTION B-B**

**SECTION B-B**

**SECTION B-B**

**SECTION B-B**

**SECTION B-B**

**SECTION B-B**

**SECTION B-B**

**SECTION B-B**

**SECTION B-B**

**SECTION B-B**

**SECTION B-B**

**SECTION B-B**

**SECTION B-B**

**SECTION B-B**

**SECTION B-B**

**SECTION B-B**

**SECTION B-B**

**SECTION B-B**

**SECTION B-B**

**SECTION B-B**

**SECTION B-B**

**SECTION B-B**

**SECTION B-B**

**SECTION B-B**

**SECTION B-B**

**SECTION B-B**

**SECTION B-B**

**SECTION B-B**

**SECTION B-B**

**SECTION B-B**

**SECTION B-B**

**SECTION B-B**

**SECTION B-B**

**SECTION B-B**

**SECTION B-B**

**SECTION B-B**

**SECTION B-B**

**SECTION B-B**

**SECTION B-B**

**SECTION B-B**

**SECTION B-B**

**SECTION B-B**

**SECTION B-B**

**SECTION B-B**

**SECTION B-B**

**SECTION B-B**

**SECTION B-B**

**SECTION B-B**

**SECTION B-B**

**SECTION B-B**

**SECTION B-B**

**SECTION B-B**

**SECTION B-B**

**SECTION B-B**

**SECTION B-B**

**SECTION B-B**

**SECTION B-B**

**SECTION B-B**

**SECTION B-B**

**SECTION B-B**

**SECTION B-B**

**SECTION B-B**

**SECTION B-B**

**SECTION B-B**

**SECTION B-B**

**SECTION B-B**

**SECTION B-B**

**SECTION B-B**

**SECTION B-B**

**SECTION B-B**

**SECTION B-B**

**SECTION B-B**

**SECTION B-B**

**SECTION B-B**

**SECTION B-B**

**SECTION B-B**

**SECTION B-B**

**SECTION B-B**

**SECTION B-B**

**SECTION B-B**

**SECTION B-B**

**SECTION B-B**

**SECTION B-B**

**SECTION B-B**

**SECTION B-B**

**SECTION B-B**

**SECTION B-B**

**SECTION B-B**

**SECTION B-B**

**SECTION B-B**

**SECTION B-B**

**SECTION B-B**

**SECTION B-B**

**SECTION B-B**

**SECTION B-B**

**SECTION B-B**

**SECTION B-B**

**SECTION B-B**

**SECTION B-B**

**SECTION B-B**

**SECTION B-B**

**SECTION B-B**

**SECTION B-B**

**SECTION B-B**

**SECTION B-B**

**SECTION B-B**

**SECTION B-B**

**SECTION B-B**

**SECTION B-B**

**SECTION B-B**

**SECTION B-B**

**SECTION B-B**

**SECTION B-B**

**SECTION B-B**

**SECTION B-B**

**SECTION B-B**

**SECTION B-B**

**SECTION B-B**

**SECTION B-B**

**SECTION B-B**

**SECTION B-B**

**SECTION B-B**

**SECTION B-B**